

FLY DINING CHAIR

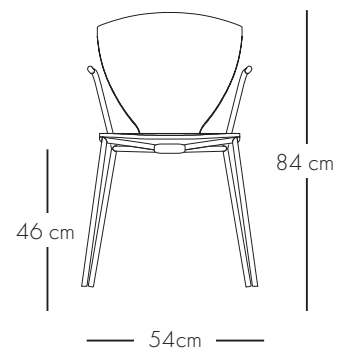
Design by Erik Jørgensen & Danerka



Fly: Erik Jørgensen and Danerka created the Fly chair jointly. The sharp angles of the frame gives a contemporary expression fitting in most environments.

Category: Stackable up to 6 units.

Standard colour:



Seat shell: 9 layers/1.2 mm PEFC-certified veneer

Foam: 60 kg/12mm CMHR

Frame: 16 mm seamless steel tube

Frame Standard: Chrome

Frame lacquered: White, black or matt alu

Size: Height: 84 cm
Width: 54 cm
Seat height: 46 cm
Seat depth: 37 cm
Available with armrest

Varnished beech
Varnished standard colours
Varnished ash/cherry/maple/oak/walnut or
Stained beech
Varnished elm, pine or wengé stained on ash
Laminate



For more information please ask for pricelist