

BOSTON BAR CHAIR

Design by Erik Jørgensen

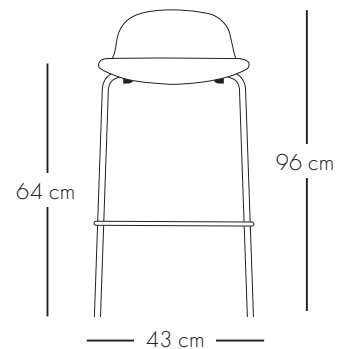


Boston Bar:

Boston Bar is the newest member of the Boston family. The barstool is available with a low or high back and comes in different heights and with a footrest in chrome-plated steel. The stool is of the same high quality as the Boston dining chair and are tested for harsh use in environments such hotels, bars, offices, etc.

Category:

Bar stool



Seat shell:

9 layers/1.2 mm PEFC-certified veneer

Foam:

60 kg/12mm CMHR

Frame:

16 mm seamless steel tube

Frame Standard:

Chrome

Frame lacquered:

White, black or matt alu

Size:

Height/width: 96/ 43 cm
Seat height/seat depth: 64/37 cm
Height/width: 117/ 43 cm
Seat height/seat depth: 78/37 cm

Oak black, varnished oak, walnut
varnished elm, pine



For more information please ask for pricelist