

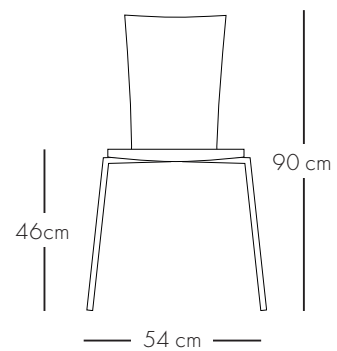
AVANTI DINING CHAIR

Design by Danerka



Category: Dining chair - Stackable up to 6 units

Standard colour:



Seat shell: 9 layers/1.2 mm PEFC-certified veneer

Foam: 60 kg/12mm CMHR

Frame: 16 mm seamless steel tube

Frame Standard: Chrome

Frame lacquered: White, black or matt alu

Size: Height: 90 cm
Width: 54 cm
Seat height: 46 cm
Seat depth: 37 cm
Available with armrest

Varnished beech
Varnished standard colours
Varnished ash/cherry/maple/oak/walnut or
Stained beech
Varnished elm, pine or wengé stained on ash
Laminate



For more information please ask for pricelist