

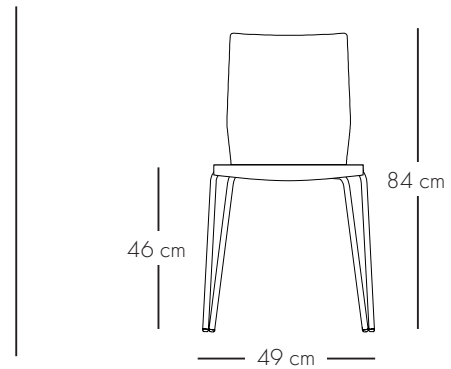
# ANNI DINING CHAIR

Design by Danerka



**Category:** Dining chair

**Standard colour:** 



**Seat shell:** 9 layers/1.2 mm PEFC-certified veneer

**Foam:** 60 kg/12mm CMHR

**Frame:** 16 mm seamless steel tube

**Frame Standard:** Chrome

**Frame lacquered:** White, black or matt alu

**Size:** Height: 84 cm  
Width: 49 cm  
Seat height: 46 cm  
Seat depth: 37 cm

Varnished beech  
Varnished standard colours  
Varnished ash/cherry/maple/oak/walnut or  
Stained beech  
Varnished elm, pine or wengé stained on ash  
Laminate



For more information please ask for pricelist